

TIZ

Pat.P
Stage Top Incubator
Incubation System for Microscopes

for Nikon Ti



Nikon
ECLIPSE
Ti

TIZ series for Nikon Ti

Stage Top Incubator

Pat. P
Incubation System for Microscopes

Universal and Unique TIZ for Ti motorized stage

Wide range of applicable dishes including Multi-Well Plate

Light weight supports precision movement of motorized stage and Piezo-Z stage

STABLE ENVIRONMENT

The same conditions as in a CO₂ incubator can be created in a compact body on the microscope stage. Long-term stable observation is a result.

STABLE IMAGING

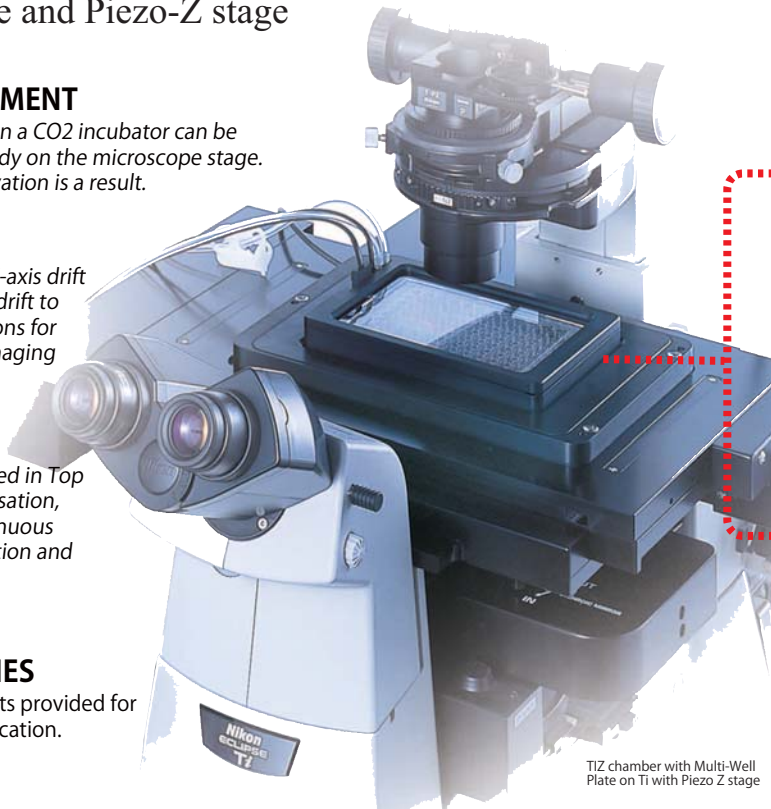
Stage Heater with anti-Z-axis drift design minimizes focus drift to provide optimal conditions for time-lapse/long-term imaging procedure.

CLEAR VISION

Clear glass heater installed in Top Heater prevents condensation, allowing clear and continuous transmission of illumination and imaging.

WIDE RANGE OF APPLICABLE DISHES

Various Dish Attachments provided for wide range of dish application.

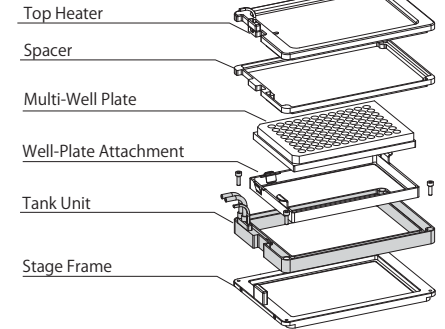


TIZ chamber with Multi-Well Plate on Ti with Piezo Z stage

Chamber Unit Construction

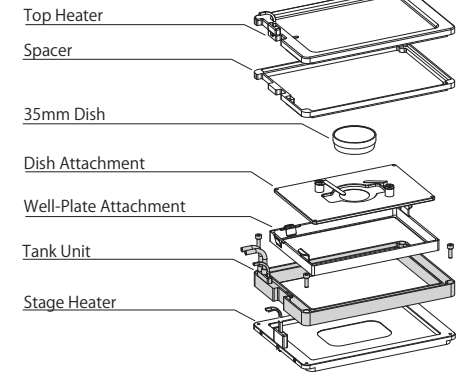
Applicable to wide range of dishes; Multi-Well Plate, 35/50/60 mm dish, Chamber Slide, Cover Glass Chamber, Slide Glass by changing Dish Attachments and Well-Plate Attachment

for Multi-Well Plate



NOTE: For Multi-Well Plate, use with Thermal Insulation Box. Stage Frame has no heating function.

for use with Dish Attachments



TIZ series Model	Gas Supply Features
INUG2A-TIZ	With built-in digital gas mixer
INUG2E-TIZ	With built-in digital gas mixer
INU-TIZ-F1	With a gas flowmeter for premixed gas
INU-TIZ	With no gas supply function



Dish Attachments	
35mm Dish	: TIZ-D35
50/60mm Dish	: TIZ-D56
Chamber Slide	: TIZ-CS
Chambered Cover Glass	: TIZ-CGC
Slide Glass	: TIZ-SG



Ti Stage Adaptor

TID-NA

NOTE: Use stage adaptor TID-NA when Piezo Z-stage is not installed

NOTE: The system includes ONICS-D35 as standard feature

ONICS series Rectangular Stage type

Standard type for Manual Stage
For 108 mm round opening



ONICS chamber on Ti with rectangular stage

Model	Gas Supply Features
INUG2A-ONICS	With built-in digital gas mixer
INUG2E-ONICS	With built-in digital gas mixer
INU-ONICS-F1	With a gas flowmeter for premixed gas
INU-ONICS	With no gas supply function



Dish Attachments	
35mm Dish	: ONICS-D35
50/60mm Dish	: ONICS-D56
Chamber Slide	: ONICS-CS
Chambered Cover Glass	: ONICS-CGC
Slide Glass	: ONICS-SG

NOTE: The system includes ONICS-D35 as standard feature

Control Units

Setting temperature range : Ambient to 50°C

Individual temperature setting of multiple heaters create optimum temperature and humidity conditions with ease and enable long-duration tissue/cell incubation.

For use with Chamber Unit, various Control Unit types are available to choose from to fit user requirements.

INUG2 Control Unit

With built-in digital gas mixer
(for 100%CO₂ cylinder use)



Built-in gas mixer creates 5%CO₂ + 95% air mixed gas from 100%CO₂ for stable supply to Chamber Unit

■ Power source: AC110V - 120V(INUG2A)
AC220V - 240V(INUG2E)
■ Size: W175×D260×H270 (mm)

INU-F1 Control Unit

With a gas flowmeter for premixed gas
(for premixed gas cylinder use)



Float type gas flowmeter supplies premixed gas into Chamber Unit at stable 5% concentration

■ Power source: AC100V - 240V
■ Size: W160×D260×H180 (mm)

INU Control Unit

With no gas supply function



For use with external gas supplier or when no gas supply is required

■ Power source: AC100V - 240V
■ Size: W160×D260×H180 (mm)

Above pictures are Control Unit for TIZ

TOKAI HIT

Innovators in microscope environment control systems and technology.

<http://www.tokaihit.com>

306-1 Gendoji-Cho, Fujinomiya-Shi, Shizuoka-Ken,
418-0074 Japan
Phone: 81-544-24-6699 / Fax: 81-544-24-6641
Email: sales-os@tokaihit.com



Please pay special attention to items marked with Caution and warning symbols as shown on the left.
Read Instruction manual carefully before using the device

- Catalog printed April 2008
- Specifications and products in this catalog are subject to change without any obligation on the part of the manufacturer/distributor

SLPR 0212R8