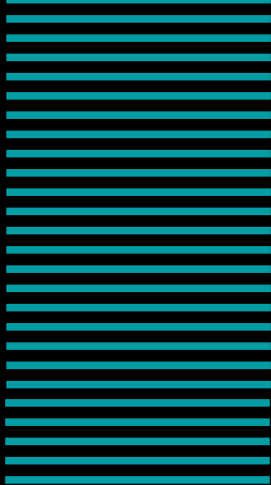


Nikon

Polarizing Microscope



ECLIPSE

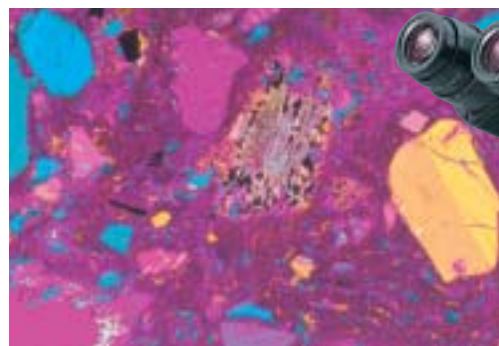
E200POL

CFI60

A cost-efficient polarizing microscope incorporating industry-acclaimed CFI60 infinity optics



The E200POL features an extremely compact body that takes up little space on your desk, making this new instrument easy to use or transport. And because the E200POL's design is based on the Eclipse E200 biological microscope, it shares the same objectives and uses many of the accessories created for higher-grade Eclipse series microscopes, enabling more advanced polarizing microscopy. As you might expect, the E200POL maintains the same operational ease and rigidity as other Eclipse-series microscopes.



E200POL Standard Set (Filter is optional)

CFI60 infinity optical system

The CFI60 optical system combines Nikon's renowned CF optical design with infinity optics to overcome the limitations of the traditional infinity design. CFI60 optics provide longer working distances and higher N.A.'s to deliver startlingly clear images at any magnification because chromatic aberrations are corrected over the entire field of view.



Refocusing stage with upper limit set stop

The unique Refocusing Stage makes specimen handling quicker and easier. The stage can be instantly dropped, just by pushing it down, to exchange specimens or oil the slide. It returns to the original position as soon as the hand is removed.



Reversed-type nosepiece

The reversed-type quadruple nosepiece provides more space at the front of the stage to make handling of specimen slides fast and easy. Another advantage of CFI60 objectives is that their increased objective lengths and longer working distances provide more working space around the nosepiece.



Easy lamp replacement

The microscope comes with a unique top-access 6V-20W halogen illuminator. Simply slide open the lens-unit cover to replace the lamp.



Robust, vibration-resistant construction

A solid one-piece casting from arm to base, plus a substantial 188.5mm width, provides greater rigidity and resistance to vibrations. The E200POL is a synthesis of great Nikon optics and solid, vibration-resistant construction.

1/4 Lambda and tint plate

A 1/4 Lambda and first order red tint plate combined on one slider is available to measure and identify the retardation qualities of the specimen.

Rotating stage

This precision, centerable stage features a vernier capable of reading to 0.1° to ensure accurate measurement of the azimuth angles.

Conoscopic observation

The intermediate tube with a Bertrand lens lets you observe conoscopic images. This feature is perfect for uniaxial or biaxial crystal identification, or for evaluation of other optical qualities such as optical signs.

Filters

The daylight-type blue filter assures correct color rendition required for sample evaluation, while the GIF filter is used for retardation measurements and contrast adjustment.

Compensators

Senarmont and quartz wedge compensators are available for quantitative retardation measurement.



Photomicrography

The FX-III series H-III photomicrographic system can be mounted on the trinocular eyepiece tube to add 35mm film documentation to your system. This system is easier to use than ever before, featuring auto exposure, 1% spot, and 35% integrated average metering and user-friendly simple controls built into the main unit.



L-IM Epi-illuminator

Incorporating a 12V-50W lamphouse, this new epi-illuminator provides more than sufficient brightness for reflected light polarizing applications.



CFI LU Plan Epi P



Comfortable viewing

The Siedentopf-type eyepiece tube—P-TB binocular or P-TT trinocular—is inclined at 30° to ensure a natural posture for more comfortable viewing.



P-TB Binocular Tube

P-TT Trinocular Tube

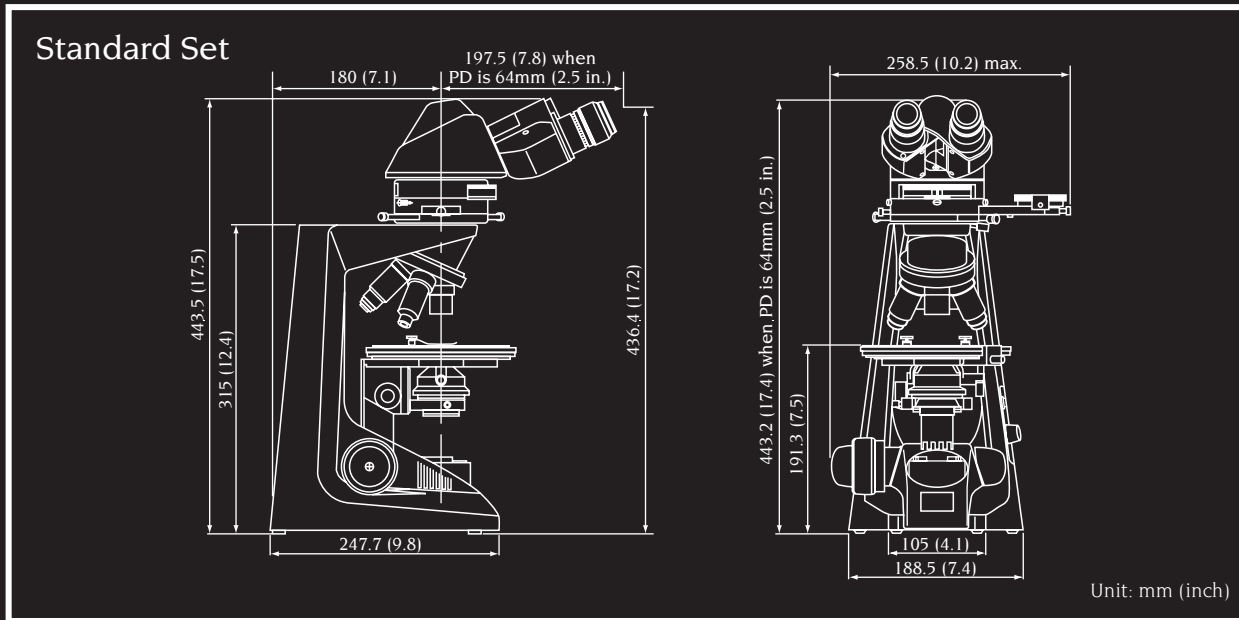
For even greater cost performance, the E200POL Basic Set is also available:

- E2-TB Binocular Tube or E2-TF Trinocular Tube can be selected. Their eyepoint height can be raised 34mm by simply swinging the front part of the tubes up 180°.
- Eyepiece lens: CFI E 10X (F.O.V. 20mm)
- Excellent cost performance



E200POL Basic Set (Filter is optional)

Dimensional Diagram



Specifications

Optical system	CFI60 infinity optical system
Magnification	40-1000X for observation 8-500X for 35mm photomicrography
Eyepiece lens	Standard set: 10X (F.O.V. 22mm), CM type with 90° crosshair and micrometer scale Basic set: 10X (F.O.V. 20mm)
Eyepiece tube	Standard set: Binocular P-TB, Trinocular P-TT Basic set: Binocular E2-TB, Trinocular E2-TF
Intermediate tube	Built-in focusable Bertrand lens removable from optical path; Built-in analyzer removable from optical path; Conoscopic/Orthoscopic observations switchable; With plate/compensator slot
Analyzer	360° rotary dial; Minimum reading angle 0.1°
Nosepiece	Quadruple nosepiece fixed to main body

Coarse/fine focusing	Fine: 0.2mm per rotation; Coarse: 37.7mm per rotation; Minimum reading: 2 microns on left-side fine control knob; Coarse motion torque adjustable; Refocusing system incorporated in stage
Stage	160mm ϕ circular graduated stage; 1° increments and vernier reading 0.1°
Illumination	Built-in 6V-20W halogen lamp precentered and prefocused; Continuously variable intensity control
Objective lens	CFI P Achromat 4X, 10X, 20X, 40X, 100X oil For episcopic illuminator: CFI LU Plan Epi P 5X, 10X, 20X, 50X, 100X
Episcopic illuminator	L-IM Epi-illuminator
Condenser	Dedicated strain-free swing-out type
Polarizer	Attachable to bottom of condenser
Compensator	Standard $1/4 \lambda$ and tint plate; Quartz wedge or Senarmont compensator can be inserted into intermediate tube slot

Specifications and equipment are subject to change without any notice or obligation on the part of the manufacturer. December 2001. ©2000/01 NIKON CORPORATION

	WARNING	TO ENSURE CORRECT USAGE, READ THE CORRESPONDING MANUALS CAREFULLY BEFORE USING YOUR EQUIPMENT.
--	----------------	--



NIKON INSTECH CO., LTD.

Parale Mitsui Bldg., 8, Higashida-cho, Kawasaki-ku, Kawasaki, Kanagawa 210-0005, Japan
 phone: +81-44-223-2167 fax: +81-44-223-2182
<http://www.ave.nikon.co.jp/inst/>

NIKON SINGAPORE PTE LTD

SINGAPORE phone: +65-5593618 fax: +65-5593668

NIKON MALAYSIA SDN. BHD.

MALAYSIA phone: +60-3-78763887 fax: +60-3-78763387

NIKON EUROPE B.V.

P.O. Box 222, 1170 AE Badhoevedorp, The Netherlands
 phone: +31-20-44-96-222 fax: +31-20-44-96-298

NIKON FRANCE S.A.

FRANCE phone: +33-1-45-16-45-16 fax: +33-1-45-16-00-33

NIKON GmbH

GERMANY phone: +49-211-9414-0 fax: +49-211-9414-322

NIKON INSTRUMENTS S.p.A.

ITALY phone: +39-55-3009601 fax: +39-55-300993

NIKON AG

SWITZERLAND phone: +41-1-913-62 00 fax: +41-1-910-37 44

NIKON UK LTD.

UNITED KINGDOM phone: +44-20-8541-4440 fax: +44-20-8541-4584

NIKON INSTRUMENTS INC.

1300 Walt Whitman Road, Melville, N.Y. 11747-3064, U.S.A.

phone: +1-631-547-8500; +1-800-52-NIKON (within the U.S.A. only) fax: +1-631-547-0306

<http://www.nikonusa.com/>

NIKON CANADA INC.

CANADA phone: +1-905-625-9910 fax: +1-905-625-0103



NIKON CORPORATION <http://www.nikon.com/>