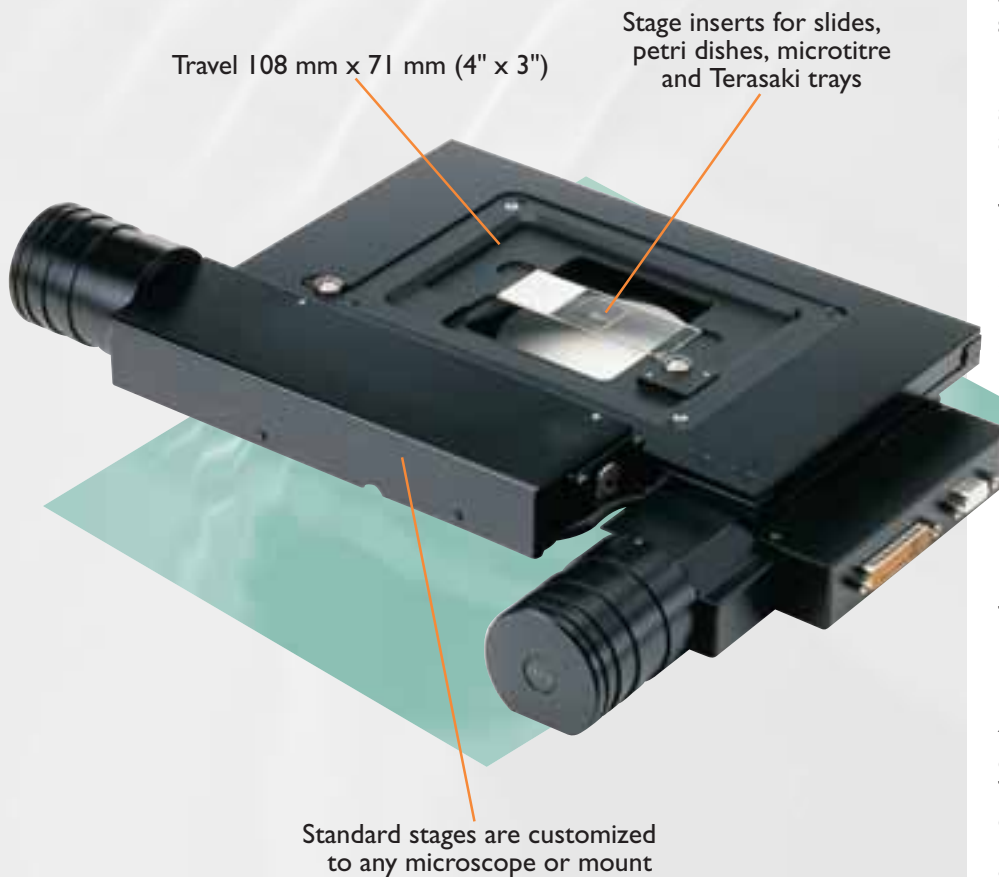


H101 Stage

4"x3" Travel, Programmable, Motorized Stepper Stage for Upright Microscopes

Features



Now add the highest quality, precision motorized stepper stage to your upright laboratory microscope: the Prior ProScan. The H101 is one of a full range of ProScan motorized stages from Prior Scientific adaptable to virtually any microscope or optical system. With the H101, you can increase your labor efficiency by automatically scanning your specimens and storing points for later recollection and inspection with unmatched repeatability. Perform scanning or inspection of slides, microtitre trays, semiconductor wafers, or metallurgical specimens in any sort of pattern, including raster, snake and random.

The H101 features:

- Travel 108 mm x 71 mm (4" x 3")
- Repeatability to ± 0.3 micron with optional linear scales
- Minimum step size (resolution) of the stage is 0.04 microns
- Standard stages are customized to any microscope or mount
- Stage inserts for slides, petri dishes, microtitre and Terasaki trays

Prior stages have a well-deserved reputation for quality and repeatability. They are manufactured using the highest quality components: crossed roller ways, zero backlash recirculating ball screws, X and Y limit switches, two high precision stepper motors even a tough scratch resistant coating. They are available with standard and custom sample holders to suit the user's application and requirements. Stages can be driven by the Prior series of motor controllers or compatible systems in existing OEM configurations. The controller can be accessed via RS-232 serial port or with an optional joystick or keyboard. For the H101 and all its products, Prior provides full support and service both direct and indirect – through a professional, knowledgeable and extensive dealer network.

H101 Stage



4"x3" Travel, Programmable, Motorized Stepper Stage for Upright Microscopes

Standard Sample Holders



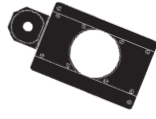
Glass Plate



Single Slide Holder



Four Slide Holder



Motorized Rotating Holder



Custom Configurations

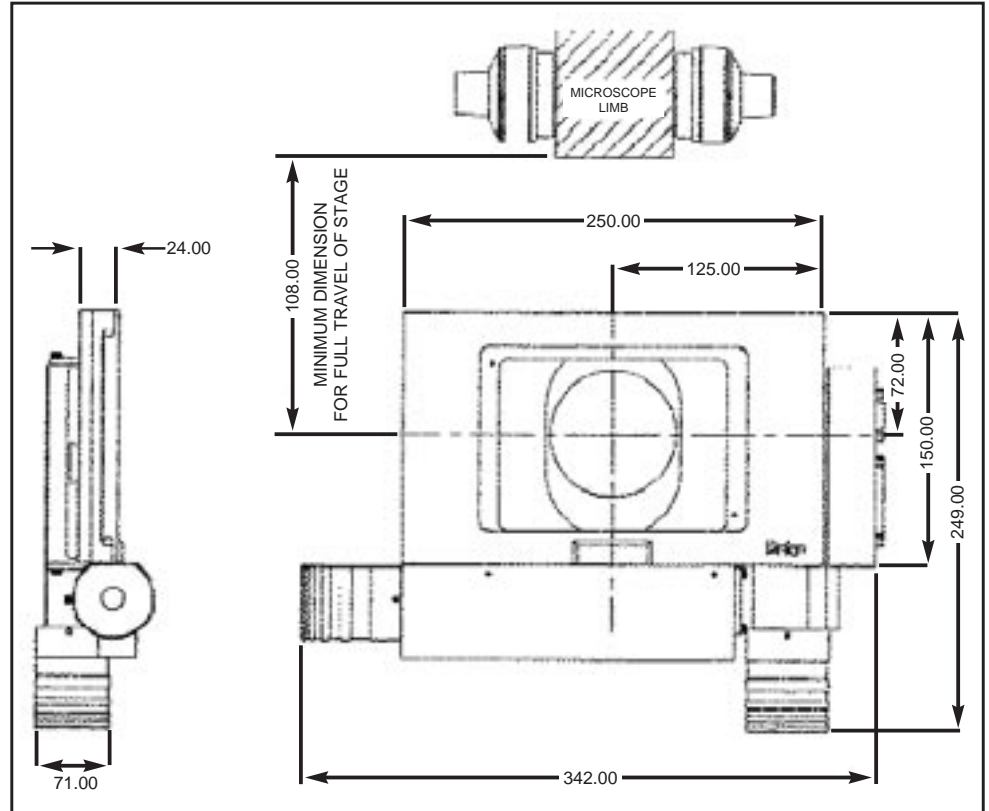
Ordering Information

Stage:
500-H101 Specify Microscope Make and Model

Sample Holder:
500-H220 Glass Plate
500-H224 Single Slide 1"x3"
500-H237 Single Slide 2"x3"
500-H234 Four Slide
500-H240 Motorized Rotating Holder

500-H2xx Custom Sample
500-H230 Aluminum Plate

Options:
500-HK01 Manual Override Knobs
500-H101JENK Linear Encoders



Dimensions in millimeters.

General Specifications

Travel Range	108 mm x 71 mm (4" x 3")	Stage Profile	Approximately 25mm (1.0") with glass plate installed
Repeatability*	±1 µm (micrometer) ±0.3 µm with linear scales	Weight	3.0 kg (6.6 lbs)
Minimum Step Size (Resolution)	0.04 µm	Finish	Electrophoretic black plate
Load Capacity	10 kg	Accuracy	±3 µm open loop, 1.0 µm linear scales optional
Stepper Motor	4 phase, 1 amp per phase, micro stepping	Flatness	5 µm
Linear Slides	Crossed 3 mm roller bearings	Angular Accuracy	±2 arc seconds
Drive Screws	Zero backlash, recirculating ball screws; 2 mm pitch		
Limit Switches	X and Y standard		

*Specifications valid only if used with Prior Controller.

PRIOR
 Scientific

PRIOR SCIENTIFIC INSTRUMENTS LIMITED,
 UNIT 4, WILBRAHAM ROAD, FULBOURN,
 CAMBRIDGE CB1 5ET
 TELEPHONE 01223 881711
 FAX 01223 881710

PRIOR SCIENTIFIC INC.,
 80 RESERVOIR PARK DRIVE,
 ROCKLAND, MA 02370-1062
 TELEPHONE 781-878-8442
 FAX 781-878-8736

VISIT PRIOR ON THE WEB AT www.prior.com

Specifications subject to change without notice.